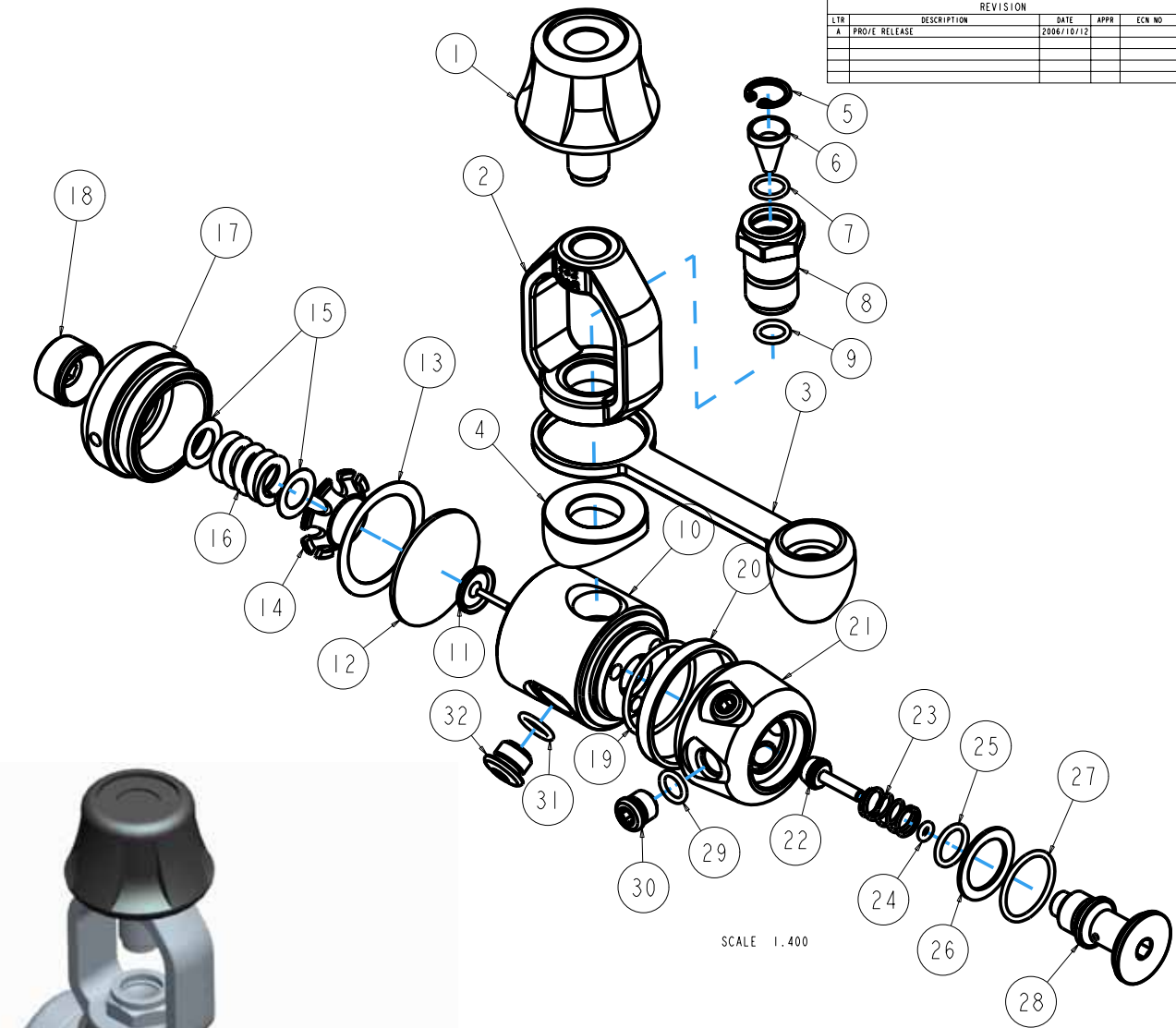


REVISION				
LTR	DESCRIPTION	DATE	APPR	ECN NO
A	PROJE RELEASE	2006/10/12		

**RG-1 YOKE 1ST STAGE REGULATOR PART LIST**

NO	ITEM NO	DESCRIPTION	Q'TY
1	B-01-005-02	YOKE KNOB	1
2	F-01-002-01	YOKE 232BAR	1
3	A-01-005-01	DUST CAP	1
4	A-01-005-02	SADDLE	1
5	P-01-001-01	FILTER CLIP	1
6	F-01-001-01	FILTER	1
7	O-EKM-9-0-X-1-5	9.0 x 1.5mm O-RING N70	1
8	C-01-002-02	YOKE RETAINER	1
9	O-AS568-011-02	AS568-011 O-RING N90	1
10	C-01-002-17	MAIN HOUSING	1
11	C-01-002-03	LIFTER	1
12	P-01-002-01	DIAPHRAGM	1
13	P-01-002-02	DIAPHRAGM WASHER	1
14	A-01-002-04	SPRING SEAT	1
15	P-01-002-03	SPRING WASHER	2
16	D-01-002-01	MAIN SPRING	1
17	C-01-002-05	DIAPHRAGM CAP	1
18	C-01-002-06	ADJUST SCREW	1
19	O-AS568-024-01	AS568-024 O-RING N70	1
20	A-01-002-06	STYLE RING - BK	1
21	C-01-002-18	TURRET	1
22	B-01-002-02	HP SEAT	1
23	D-01-002-02	SPRING	1
24	O-AS568-006-02	AS568-006 O-RING N90	1
25	O-AS568-013-02	AS568-013 O-RING N90	1
26	P-01-002-04	THRUST WASHER	1
27	O-AS568-019-01	AS568-019 O-RING N70	1
28	C-01-002-09	TURRET BOLT	1
29	O-AS568-011-01	AS568-011 O-RING N70	3
30	C-01-001-01	LP PLUG	3
31	O-AS568-012-02	AS568-012 O-RING N90	2
32	C-01-001-02	HP PLUG	2



DO NOT SCALE THIS DRAWING	DATE	2006/10/12	DRAWN		AMDR
UNLESS OTHERWISE SPECIFIED DIMENSIONS ARE IN MM TOLERANCES:	CHECKED		APPROVED		
ANGLES ± 1°	APPROVED		FILENAME:		
± 0.10 FRACTION ± 1/64	APPROVED		SHEET 1 OF 1		
MATERIAL:	FINISH:	SIZE	USED ON	DRAWING NO.	REV
SEE NOTES	SEE NOTES	D		RG1-002-08	A
		SCALE: 0.333			

**H2ODYSEY**

RG-1 YOKE 1ST STAGE REGULATOR