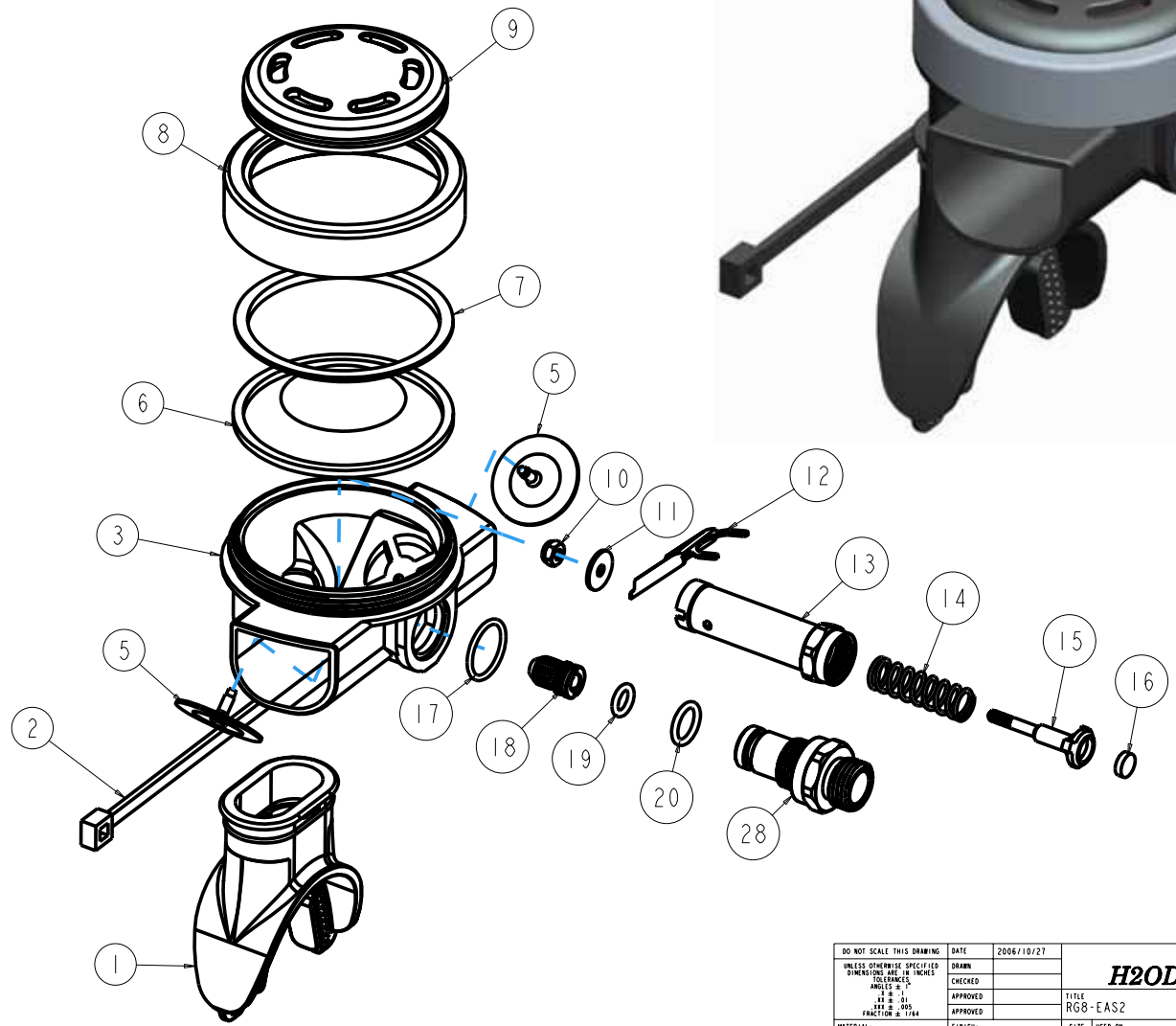


REVISION				
LTR	DESCRIPTION	DATE	APPR	ECK NO
A	PROFE RELEASE	2006/10/27		



RG8-EAS2 REGULATOR PART LIST			
NO	ITEM NO	DESCRIPTION	Q'TY
1	A-02-010-11	LONG MOUTHPIECE	1
2	A-02-010-12	NYLON TIE	1
3	A-02-008-06	ODU MAIN HOUSING	1
5	A-02-008-05	EXHAUST VALVE	2
6	B-02-010-01	DIAPHRAGM	1
7	A-02-010-10	DIAPHRAGM WASHER	1
8	C-02-010-07	COVER RING / ALUMINUM	1
9	A-02-010-05	COVER BUTTON	1
10	C-02-010-06	NUT SCREW 5-40	1
11	P-02-008-01	STAINLESS SPACER	1
12	S-02-008-01	LEVER ARM	1
13	C-02-008-01	ADJUST TUBE	1
14	D-02-008-01	SPRING	1
15	C-02-008-02	POPPET	1
16	A-02-008-01	LP SEAT - SERVICE	1
17	O-EKM-15MX1-5-01	15 X 1.5MM O-RING N70 -SERVICE	1
18	A-02-008-02	ORIFICE - SERVICE	1
19	O-AS568-010-01	AS568-010 O-RING N70 - SERVICE	1
20	O-AS568-012-01	AS568-012 O-RING N70 - SERVICE	1
28	C-02-008-09	ADJUST SCREW	1



DO NOT SCALE THIS DRAWING	DATE	2006/10/27	H2ODYSSEY	
UNLESS OTHERWISE SPECIFIED DIMENSIONS ARE IN INCHES TOLERANCES:	DRAWN			
ANGLES 0°	CHECKED			
XX ± .01	APPROVED			
XXX ± .005	APPROVED		TITLE	RG8-EAS2
FRACATOR ± 1/64			SIZE	USED ON
MATERIAL:	FINISH:		D	RG2-008-03
SEE NOTES	SEE NOTES		SCALE: 0.500	FILENAME:
				SHEET 1 OF 1

SCALE 1:500